

RO-RCE

Electric Countertop Range



RO-RCE-12



INSTALLATION GUIDE

Operation, Maintenance, and Service Parts

- RO-RCE-12-1
- RO-RCE-12-2

1. WARNINGS AND CAUTIONS



WARNING

Any installation, adjustment, modification, repair, or maintenance not in accordance with applicable standards may cause injury, death, or property damage. To ensure a safe installation and proper operation of your Rosko equipment, please read this entire manual and keep it for future reference.

- This unit is intended for commercial use only.
- Installation must meet the requirements of the codes below, where applicable.
 - State codes or local codes, or in the absence of local codes:
 - the National Electrical Code **ANSI/NFPA 70**;
 - State codes or local codes, or in the absence of local codes:
 - the Canadian Electrical Code **CSA C22.1**.
- The installation of this appliance must be done by a certified technician, where required by law.
- Do not store fuels or other flammable materials near the unit.
- In the event of a malfunction, disconnect the unit power supply and contact a service technician.



WARNING

Keep a copy of these instructions in a visible location¹.

¹This guide is updated as new information or new products become available.
Visit our website rosko-julien.ca for the most recent version of these documents.

TABLE OF CONTENT

1. WARNINGS AND CAUTIONS	2
2. PLANNING AND INSTALLATION	4
2.1. CLEARANCE	4
2.2. RECEPTION AND INSPECTION	4
2.3. LEVEL	5
2.4. FIXATION	5
2.5. CONNECTION	6
3. OPERATION	8
3.1. IGNITION	8
3.2. PROLONGED SHUTDOWN	8
4. MAINTENANCE	9
4.1. CLEANING	9
5. ELECTRICAL DIAGRAM	11
5.1. RO-RCE-12	11
6. SERVICE PARTS	12
6.1. RO-RCE-12	12
7. SPECIFICATIONS	15
CONTACT US	16

2. PLANNING AND INSTALLATION

Congratulations on the purchase of your new Rosko electric countertop range!

To maximize the use and durability of your unit, we recommend that you follow the instructions in this guide. Installation, operation, and maintenance procedures must be followed for warranty protection to apply.

2.1. CLEARANCE

It is essential to observe the following minimum clearance when planning the unit's installation and during the installation.

- Construction with combustible materials:
 - 4" (102 mm) at the back and on each side of the range
- Construction with non-combustible materials:
 - 0" (0 mm) at the back and on each side of the range
- Provide adequate space for the unit operation and maintenance

2.2. RECEPTION AND INSPECTION

This unit has been inspected and verified before shipment. Upon receipt, check immediately for damage with the delivery person present. If necessary, make your claim immediately.

The warranty is limited to the replacement of defective parts under normal use. No claims will be accepted for breakage resulting from improper installation, improper operation, or unauthorized service before installation.

Before installation, make sure the specifications of the electric countertop range match the type of electric power supply. Refer to the nameplate on the side of the unit.

Important: Confirm that you have received all the parts included with your range model.

All Electric Countertop Range Models

Materials included:

- 1 range
- 1 instruction guide

2.3. LEVEL

WARNING

The range must be supported by a heatproof countertop or stand.

Once the unit is in its final position, level the range by adjusting the leveling feet. Make sure the range is level in the front-to-back and side-to-side axis. It is recommended to level the unit each time it is moved. Proper leveling prevents accidents and ensures optimal cooking performance.

2.4. FIXATION

WARNING

The unit must be installed with restraints to counteract possible stress on the electrical circuit.

Do not use the connector or power supply wire to restrict the unit movement. Fastening can be done by inserting the range into a battery of equipment or by attaching the range to the back wall with a chain shorter than the power cord.

NOTE: Fastening material is not included.

For installation on a moving surface with wheels, install the mounting device on the base used. The restriction must also counteract the stress on the connector and the electrical supply wire.

WARNING

Always turn the range power off before removing the fastener.

2.5. CONNECTION

The wire entry for the connection is a 1" knockout located at the back of the range.

Use a 1" commercial electrical connector (not included) to insert the electrical supply wire into the unit.

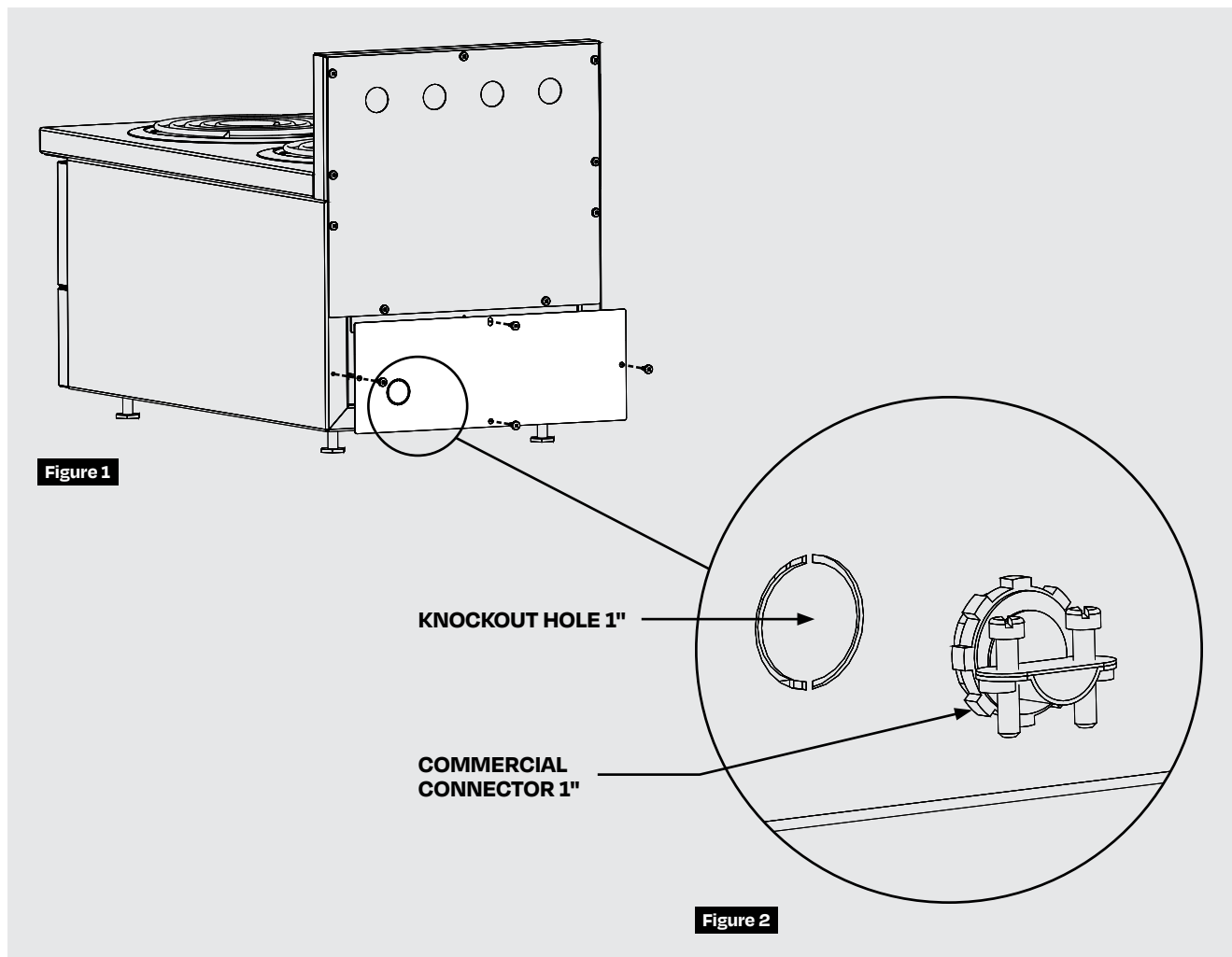
The connection must be made by a certified technician or electrician.

WARNING

Installation must meet the requirements of the codes below, where applicable.

- State codes or local codes, or in the absence of local codes:
the National Electrical Code **ANSI/NFPA 70**;
- State codes or local codes, or in the absence of local codes:
the Canadian Electrical Code **CSA C22.1**.

1. Manually remove the 1" knockout located behind the range.
2. Remove the unit bottom rear panel by unscrewing the four (4) fixing screws. **(Figure 1)**
3. Install and secure the commercial electrical connector (not included) in the hole provided on the rear panel. **(Figure 2)**



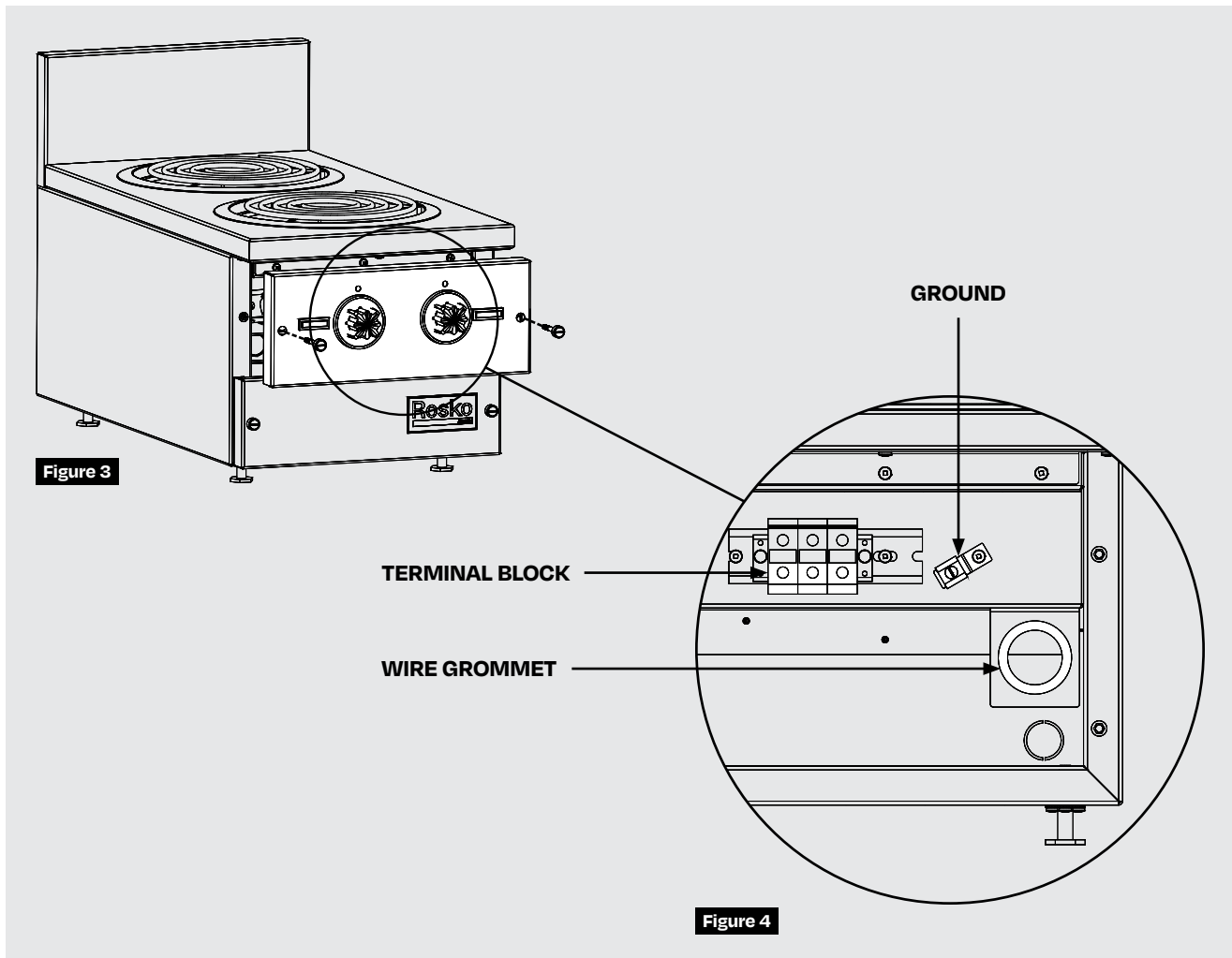
4. To reach the terminal block, unscrew the two (2) top bolts in front of the unit and remove the top panel. **(Figure 3)**
5. Insert and secure the correct length of unsheathed wire in the connector to direct it to the terminal block located on the front of the unit.
6. Make sure the end of the wire fits into the wire grommets before it reaches the terminal block. **(Figure 4)**

⚠ WARNING

Use a metal wire that can withstand a temperature of 200° F (93° C). The wire gauge must also support the operational current (A) listed on the device spec sheet.

7. Replace the rear panel by screwing the four (4) fixing screws and ensuring that the electrical connector is firmly in place.
8. Make the electrical and grounding connections according to the electrical diagram. **(Figure 4)**

NOTE: See figure 6 for details on the electrical connections.



9. Replace the front panel in its original position by tightening the two (2) bolts.

⚠ WARNING

Do not pinch the unit's internal wiring of the unit when replacing the front panel.

3. OPERATION

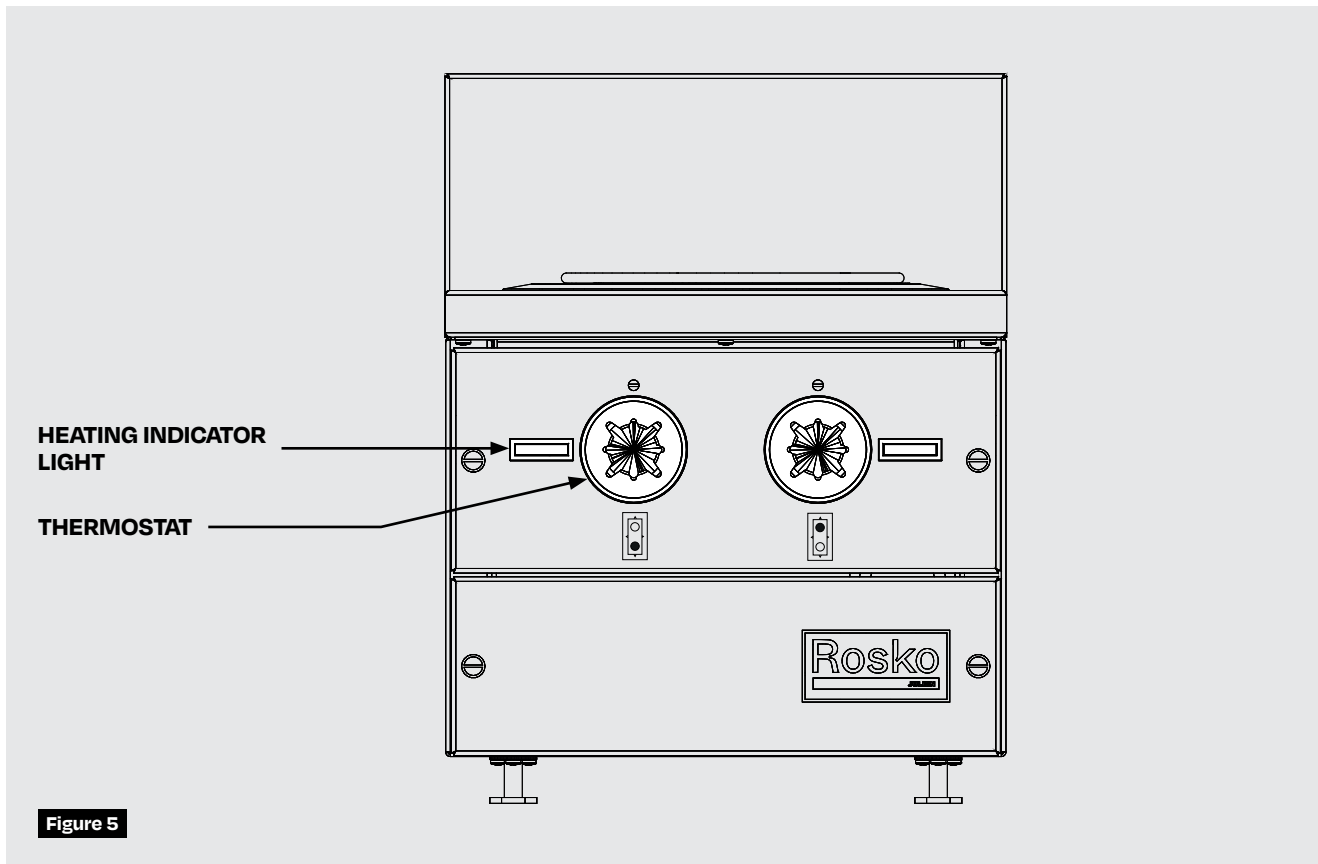
WARNING

To avoid damaging the elements, do not use pots with a capacity greater than three (3) liters.

3.1. IGNITION

1. Turn the infinity controls to the "OFF" position.
2. Make sure that the elements are straight and well connected.
3. Adjust the infinity controls to the desired position. A red light will turn on for each element that is heating. **(Figure 5)**

NOTE: Ensure that controls are associated with the right element.



3.2. PROLONGED SHUTDOWN

1. Turn the infinity controls to the "OFF" position.
2. Turn off the main electric supply.

4. MAINTENANCE

WARNING

It is essential to turn off the unit's main electric supply and cool the components before performing any form of maintenance.

4.1. CLEANING

WARNING

Check for an accumulation of residue on the elements or in the domes, as this can interfere with the unit's proper operation and even cause a fire.

Every day, thoroughly clean exposed surfaces with a mild soap or other commercial cleaner designed for this purpose.

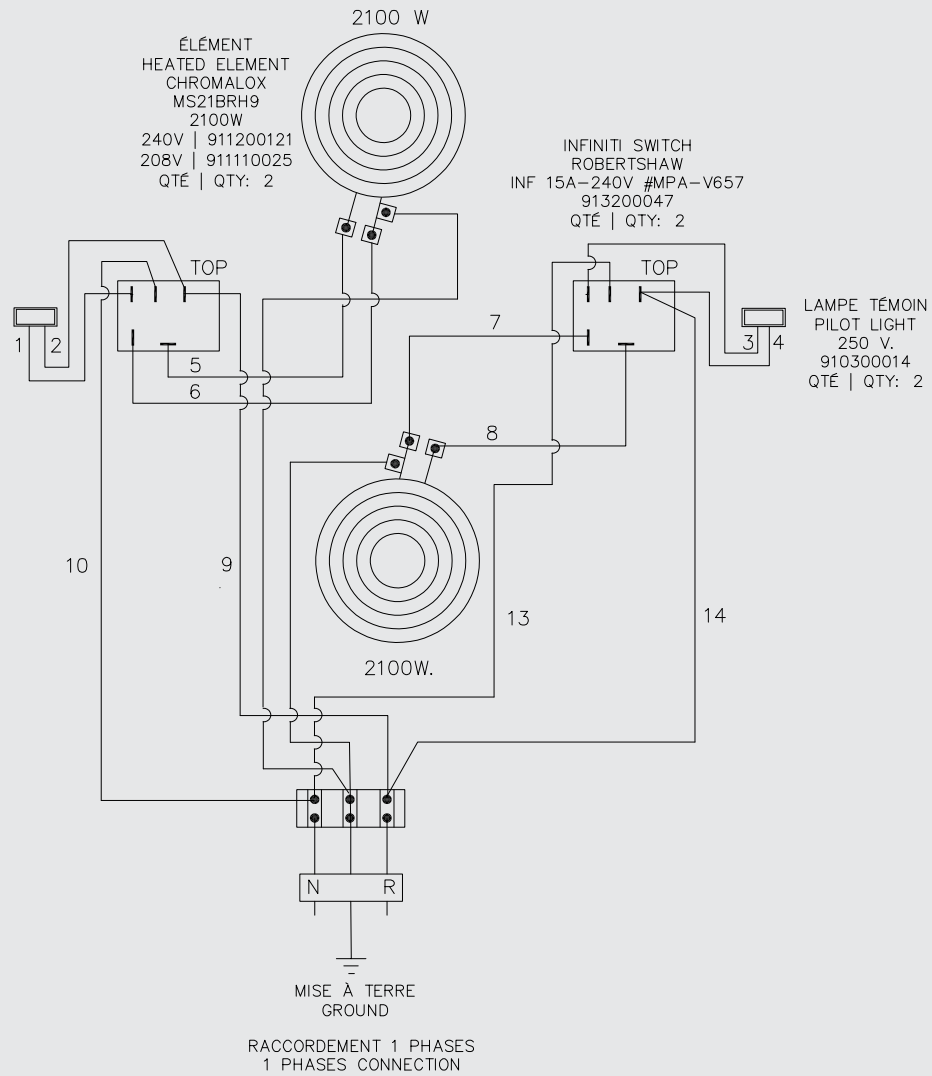
It is recommended to check and clean the elements and the domes of the range regularly:

- Use an oven cleaner to remove grease build-up on the elements and rinse with hot water.
- Soak the domes in a commercial detergent for a few hours and rinse with hot water.

5. ELECTRICAL DIAGRAM

5.1. RO-RCE-12

RCE-12 | CUISINIÈRE DE COMPTOIR ÉLECTRIQUE | ELECTRIC COUNTERTOP RANGE



DONNÉES ÉLECTRIQUE
ELECTRICAL DATA

240V/1PH/4200W		17.5 AMPS		60 CYCLES
208V/1PH/4200W		20.1 AMPS		60 CYCLES

TYPE DE FIL ÉLECTRIQUE
ELECTRICAL WIRE TYPE

14 GA SEW-2 | 200°C

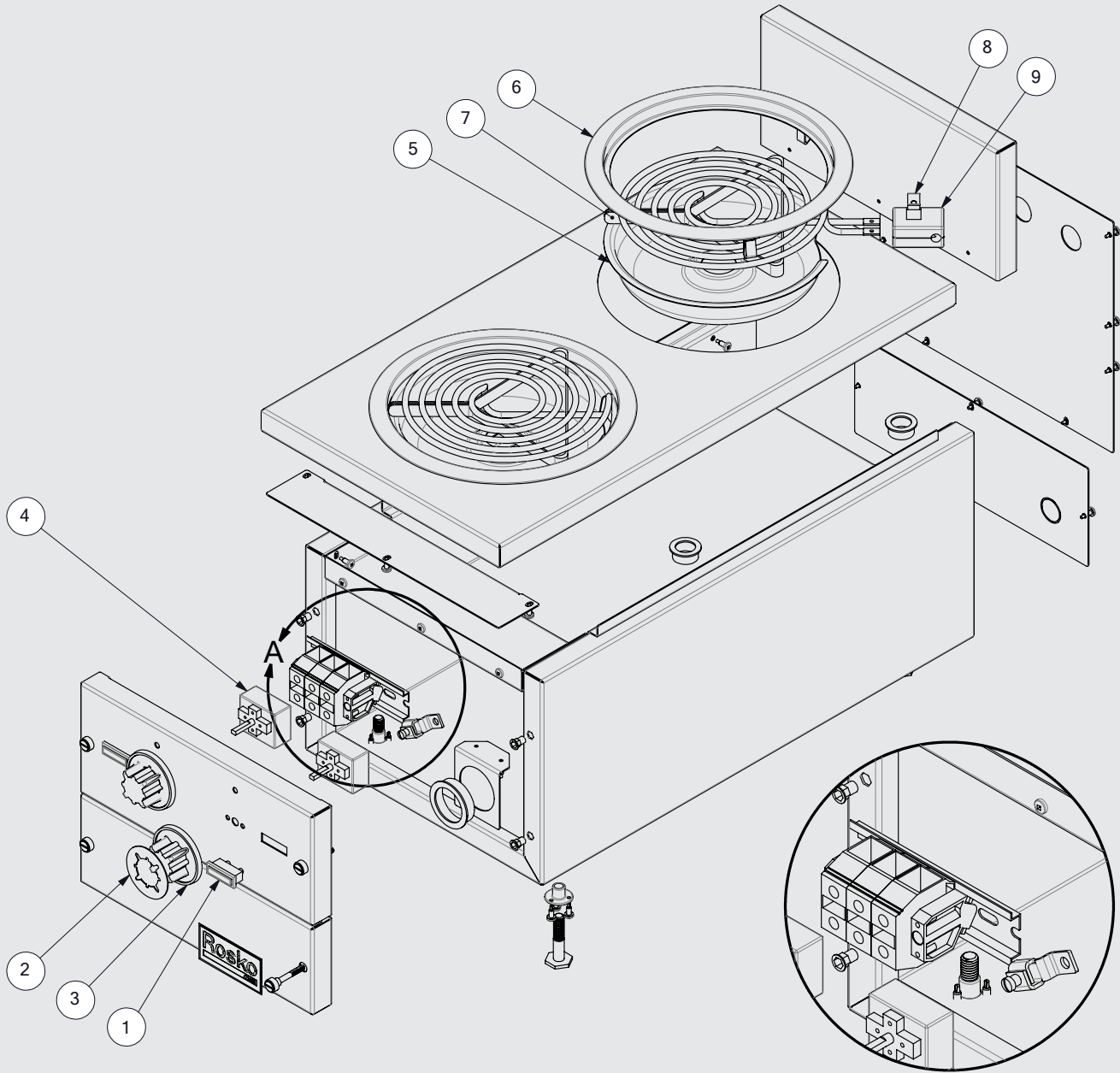
Figure 6

6. SERVICE PARTS

6.1. RO-RCE-12

See **figure 7** for identification of service parts

#	Code	Description	Qté
1	910300014	Red Square Indicator Light 250 V	2
2	913900239	Knob Ring for Control OFF/HI-LO	2
3	913900220	Control Knob for Commutable Ring	2
4	913200047	Infinite Switch 15 A - 240 V	2
5	911900024	Glazed Dome for 2100 W Element	2
6	911900023	Finish Ring for 2100 W Element	2
7	911110025	Element 2100 W for 208 V Electric Range	2
	911200121	Element 2100 W for 240 V Electric Range	2
8	911900029	Porcelain Block Clip for 2100 W Element	2
9	911900026	Porcelain Block for 2100 W Element	2

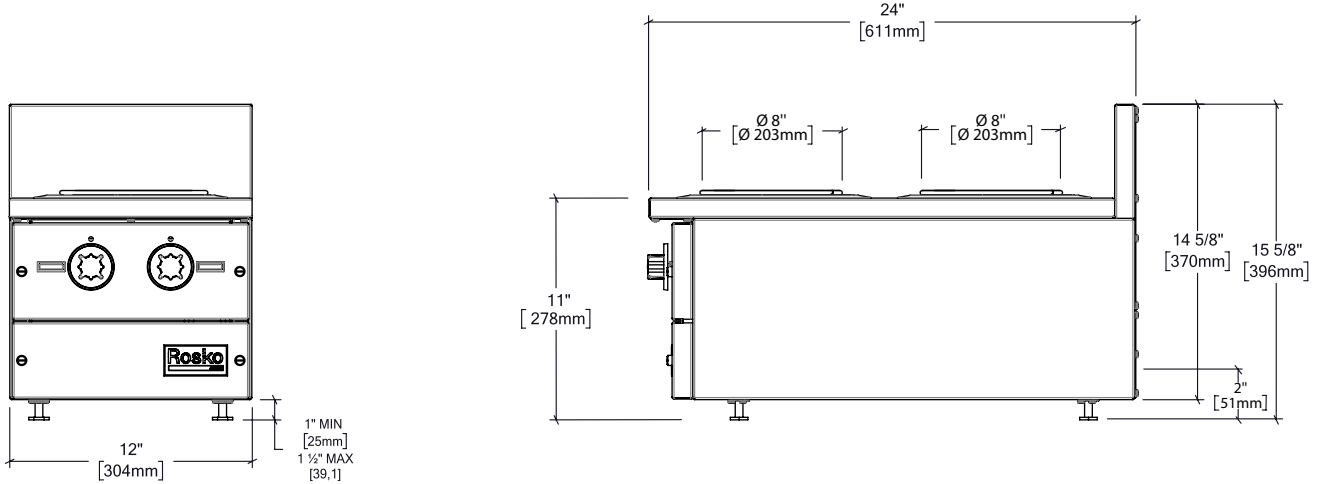


DÉTAIL A
ÉCHELLE 1 : 3

Figure 7

7. SPECIFICATIONS

This guide is dedicated to the Rosko electric countertop ranges listed below.



Models	Width	Depth	Total height	Cooking surface	Weight	Packaging dimensions (W x D x H)
RO-RCE-12-1	12" - 305 mm	24" - 610 mm	15 5/8" - 396 mm	12 x 24" 305 x 610 mm	45 lb - 20 kg	18 x 36 x 21" 457 x 914 x 533 mm
RO-RCE-12-2						
Models	Total output	Number of controls/elements	Voltage	Amperage 1 phase		
RO-RCE-12-1	4 200 W	2	208 V	20,10 A		
RO-RCE-12-2			240 V	17,50 A		



WARNING

Keep this guide for future reference.

CONTACT US

customerservice@rosko-julien.ca